

RELAX

690 RC

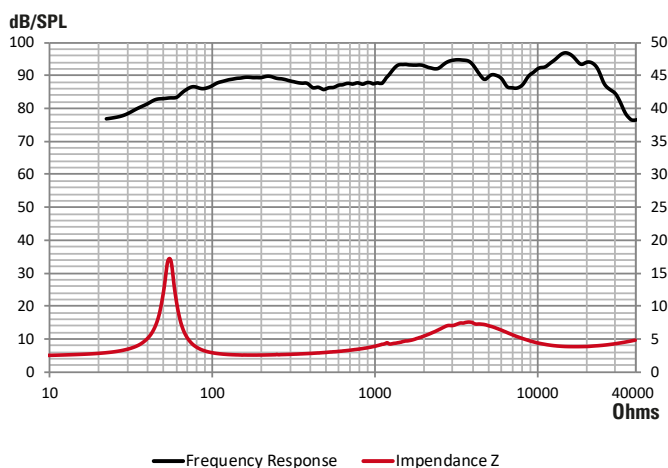
Woofer

- Sensitivity 93dB
- Max power 150 W / Nom. power 75 W
- Frequency response 55 Hz - 20 KHz
- Integrated 6dB/ oct cross-over
- 25 mm soft dome tweeter

TECHNICAL SPECIFICATIONS

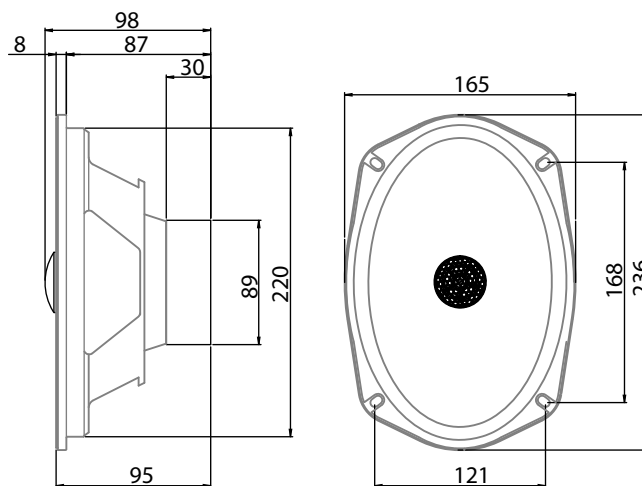
Component	Speakers	
Max power	150 W	
Nominal power	75 W	
Impedance	2 Ω	
Freq. Response	60 Hz - 20 KHz	
Sensitivity (2,83V/1m)	93 dB	
Magnet	Ferrite	
Magnet size Ø x h	85 x 17 mm	3,35" x 0,67"
Total driver displacement	0,3 l	0,011 cf
Weight of one component	1.05 kg	2,315 lb
Voice coil Ø	25 mm	0,984"
Voice coil height	11 mm	0,433"
Cone	Coated cellulose pulp	

FREQUENCY RESPONSE / IMPEDANCE



Guy Bonneville

BLAM
DRIVEN BY PASSION



THIELE-SMALL PARAMETERS

effective Ø (d)	164,6 mm
Sd	212,79 cm ²
Xmax	3 mm
Re	2,4 Ω
Fs	54,10 Hz
Le	101,12 µH @ 1 kHz
Le	216,5 µH @10 kHz
Vas	26,45 L
Mms	20,81 g
Cms	0,000416 m/N
BL	4,23 Tm
Qts	0,82
Qes	0,95
Qms	6,12
Sensitivity (dB/W/m)	88,4 dB

contact@blam-audio.fr

www.facebook.com/blamaudio

www.blam-audio.fr